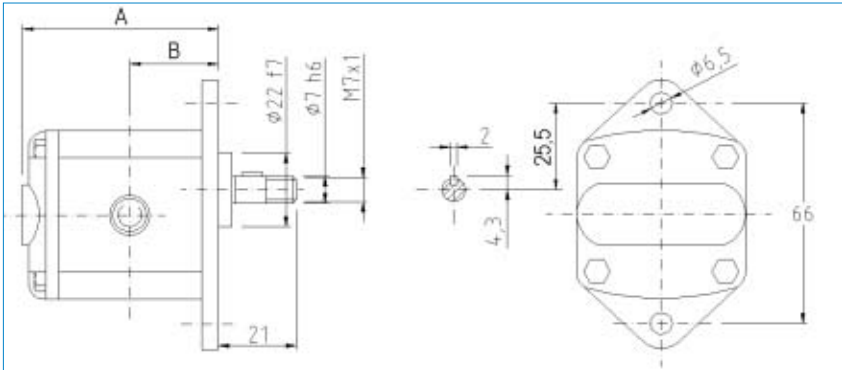


Gear pumps

Hydraulic gear pumps size 0

Code anticlockwise	Code clockwise	cm ³ /rev	Max. pressure bar			Speed max./min.	Dimension A	Dimension B	Thread suction port	Thread pressure port	Weight kg
			p ₁	p ₂	p ₃						
HK 0P01 01 ABBA	HK 0P01 02 ABBA	0.16	220	240	260	9000 / 700	56.0	26.2	1/4"	1/4"	0.40
HK 0P02 01 ABBA	HK 0P02 02 ABBA	0.24	220	240	260	9000 / 700	56.5	26.5	1/4"	1/4"	0.41
HK 0P04 01 ABBA	HK 0P04 02 ABBA	0.45	220	240	260	9000 / 700	58.0	27.3	1/4"	1/4"	0.42
HK 0P05 01 ABBA	HK 0P05 02 ABBA	0.56	220	240	260	9000 / 700	59.0	27.8	1/4"	1/4"	0.43
HK 0P06 01 ABBA	HK 0P06 02 ABBA	0.75	220	240	260	9000 / 700	60.5	28.5	1/4"	1/4"	0.44
HK 0P07 01 ABBA	HK 0P07 02 ABBA	0.92	220	240	260	6000 / 700	62.0	29.3	1/4"	1/4"	0.46

p₁ – max. continuous pressure; p₂ – max. operating pressure; p₃ – highest max. pressure
 Other pump versions available on request.

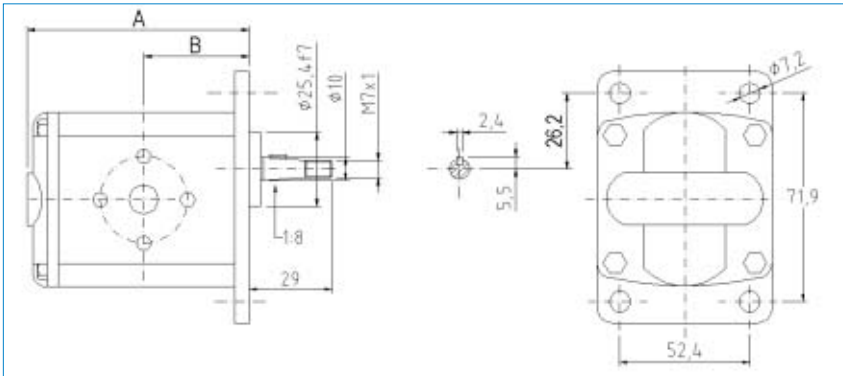


European standard pump – hole pattern 66 – Ø 22 – cylinder Ø 7 – threaded end fitting

Hydraulic gear pumps size 1

Code anticlockwise	Code clockwise	cm ³ /rev	Max. pressure bar			Speed max./min.	Dimension A	Dimension B	Hole circle suction port	Hole circle pressure port	Weight kg
			p ₁	p ₂	p ₃						
HK 1P16 01 FIIA	HK 1P16 02 FIIA	0.91	240	260	280	6000 / 700	77.1	37.3	30 / M6	30 / M6	0.95
HK 1P17 01 FIIA	HK 1P17 02 FIIA	1.17	250	270	290	6000 / 700	78.0	37.8	30 / M6	30 / M6	0.97
HK 1P18 01 FIIA	HK 1P18 02 FIIA	1.56	250	270	290	6000 / 700	79.5	38.5	30 / M6	30 / M6	1.01
HK 1P20 01 FIIA	HK 1P20 02 FIIA	2.08	250	270	290	6000 / 700	81.5	39.5	30 / M6	30 / M6	1.03
HK 1P21 01 FIIA	HK 1P21 02 FIIA	2.60	250	280	300	6000 / 700	83.5	40.5	30 / M6	30 / M6	1.06
HK 1P23 01 FIIA	HK 1P23 02 FIIA	3.12	250	280	300	6000 / 700	85.5	41.5	30 / M6	30 / M6	1.09
HK 1P25 01 FIIA	HK 1P25 02 FIIA	3.64	250	280	300	6000 / 700	87.5	42.5	30 / M6	30 / M6	1.12
HK 1P27 01 FIIA	HK 1P27 02 FIIA	4.16	250	280	300	6000 / 700	89.5	43.5	30 / M6	30 / M6	1.17
HK 1P29 01 FIIA	HK 1P29 02 FIIA	4.94	250	280	300	6000 / 700	92.5	45.0	30 / M6	30 / M6	1.20
HK 1P31 01 FIIA	HK 1P31 02 FIIA	5.85	250	280	300	5000 / 700	96.0	46.8	30 / M6	30 / M6	1.26
HK 1P32 01 FIIA	HK 1P32 02 FIIA	6.50	250	280	300	5000 / 700	98.5	48.0	30 / M6	30 / M6	1.30
HK 1P34 01 FIIA	HK 1P34 02 FIIA	7.54	220	240	260	5000 / 700	102.5	50.0	30 / M6	30 / M6	1.36
HK 1P36 01 FIIA	HK 1P36 02 FIIA	9.88	190	210	230	4000 / 700	111.5	54.5	30 / M6	30 / M6	1.50

p₁ – max. continuous pressure; p₂ – max. operating pressure; p₃ – highest max. pressure
 Other pump versions available on request.



European standard pump – hole pattern 71.9 x 52.4 – Ø 25.4 – cone 1:8 – flange connection



HK 0P04 02 ABBA



HK 1P21 02 FIIA

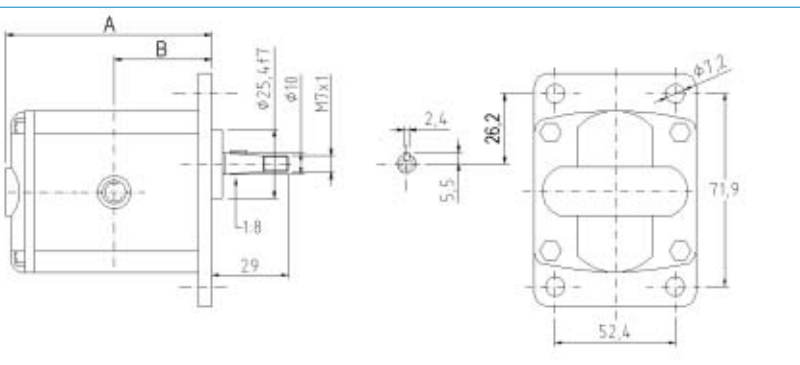
Hydraulic gear pumps size 1



HK 1P21 02 FBBA

Code anticlockwise	Code clockwise	cm ³ /rev	Max. pressure bar			Speed max./min.	Dimension A	Dimension B	Thread suction port	Thread pressure port	Weight kg
			p ₁	p ₂	p ₃						
HK 1P16 01 FBBA	HK 1P16 02 FBBA	0.91	240	260	280	6000 / 700	77.1	37.3	3/8"	3/8"	0.95
HK 1P17 01 FBBA	HK 1P17 02 FBBA	1.17	250	270	290	6000 / 700	78.0	37.3	3/8"	3/8"	0.97
HK 1P18 01 FBBA	HK 1P18 02 FBBA	1.56	250	270	290	6000 / 700	79.5	38.5	3/8"	3/8"	1.01
HK 1P20 01 FBBA	HK 1P20 02 FBBA	2.08	250	270	290	6000 / 700	81.5	39.5	3/8"	3/8"	1.03
HK 1P21 01 FBBA	HK 1P21 02 FBBA	2.60	250	280	300	6000 / 700	83.5	40.5	3/8"	3/8"	1.06
HK 1P23 01 FBBA	HK 1P23 02 FBBA	3.12	250	280	300	6000 / 700	85.5	41.5	3/8"	3/8"	1.09
HK 1P25 01 FBBA	HK 1P25 02 FBBA	3.64	250	280	300	6000 / 700	87.5	42.5	3/8"	3/8"	1.12
HK 1P27 01 FBBA	HK 1P27 02 FBBA	4.16	250	280	300	6000 / 700	89.5	43.5	3/8"	3/8"	1.17
HK 1P29 01 FBBA	HK 1P29 02 FBBA	4.94	250	280	300	6000 / 700	92.5	45.0	3/8"	3/8"	1.20
HK 1P31 01 FBBA	HK 1P31 02 FBBA	5.85	250	280	300	5000 / 700	96.0	46.8	3/8"	3/8"	1.26
HK 1P32 01 FBBA	HK 1P32 02 FBBA	6.50	250	280	300	5000 / 700	98.5	48.0	3/8"	3/8"	1.30
HK 1P34 01 FBBA	HK 1P34 02 FBBA	7.54	220	240	260	5000 / 700	102.5	50.0	3/8"	3/8"	1.36
HK 1P36 01 FBBA	HK 1P36 02 FBBA	9.88	190	210	230	4000 / 700	111.5	54.5	3/8"	3/8"	1.50

p₁ – max. continuous pressure; p₂ – max. operating pressure; p₃ – highest max. pressure
Other pump versions available on request.



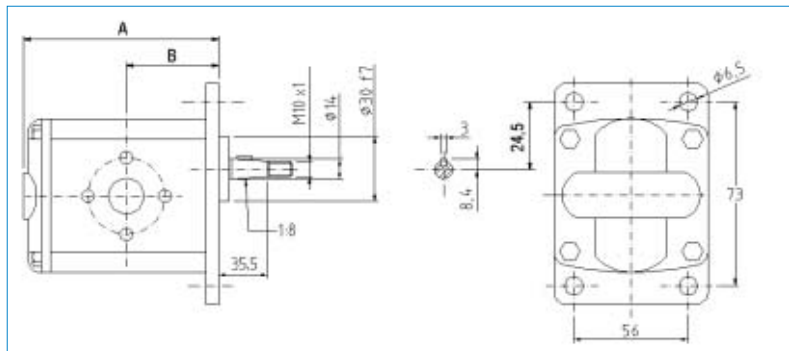
European standard pump – hole pattern 71.9 x 52.4 – Ø 25.4 – cone 1:8 – threaded end fitting



HK 1P27 12 GIIA

Code anticlockwise	Code clockwise	cm ³ /rev	Max. pressure bar			Speed max./min.	Dimension A	Dimension B	Hole circle suction port	Hole circle pressure port	Weight kg
			p ₁	p ₂	p ₃						
HK 1P16 11 GIIA	HK 1P16 12 GIIA	0.91	240	260	280	6000 / 700	77.1	37.3	30 / M6	30 / M6	0.95
HK 1P17 11 GIIA	HK 1P17 12 GIIA	1.17	250	270	290	6000 / 700	78.0	37.8	30 / M6	30 / M6	0.97
HK 1P18 11 GIIA	HK 1P18 12 GIIA	1.56	250	270	290	6000 / 700	79.5	38.5	30 / M6	30 / M6	1.01
HK 1P20 11 GIIA	HK 1P20 12 GIIA	2.08	250	270	290	6000 / 700	81.5	39.5	30 / M6	30 / M6	1.03
HK 1P21 11 GIIA	HK 1P21 12 GIIA	2.60	250	280	300	6000 / 700	83.5	40.5	30 / M6	30 / M6	1.06
HK 1P23 11 GIIA	HK 1P23 12 GIIA	3.12	250	280	300	6000 / 700	85.5	41.5	30 / M6	30 / M6	1.09
HK 1P25 11 GIIA	HK 1P25 12 GIIA	3.64	250	280	300	6000 / 700	87.5	42.5	30 / M6	30 / M6	1.12
HK 1P27 11 GIIA	HK 1P27 12 GIIA	4.16	250	280	300	6000 / 700	89.5	43.5	30 / M6	30 / M6	1.17
HK 1P29 11 GIIA	HK 1P29 12 GIIA	4.94	250	280	300	6000 / 700	92.5	45.0	30 / M6	30 / M6	1.20
HK 1P31 11 GIIA	HK 1P31 12 GIIA	5.85	250	280	300	5000 / 700	96.0	46.8	30 / M6	30 / M6	1.26
HK 1P32 11 GIIA	HK 1P32 12 GIIA	6.50	250	280	300	5000 / 700	98.5	48.0	30 / M6	30 / M6	1.30
HK 1P34 11 GIIA	HK 1P34 12 GIIA	7.54	220	240	260	5000 / 700	102.5	50.0	30 / M6	30 / M6	1.36
HK 1P36 11 GIIA	HK 1P36 12 GIIA	9.88	190	210	230	4000 / 700	111.5	54.5	30 / M6	30 / M6	1.50

p₁ – max. continuous pressure; p₂ – max. operating pressure; p₃ – highest max. pressure
Other pump versions available on request.



European standard pump – hole pattern 73 x 56 – Ø 30 – cone 1:8 – flange connection